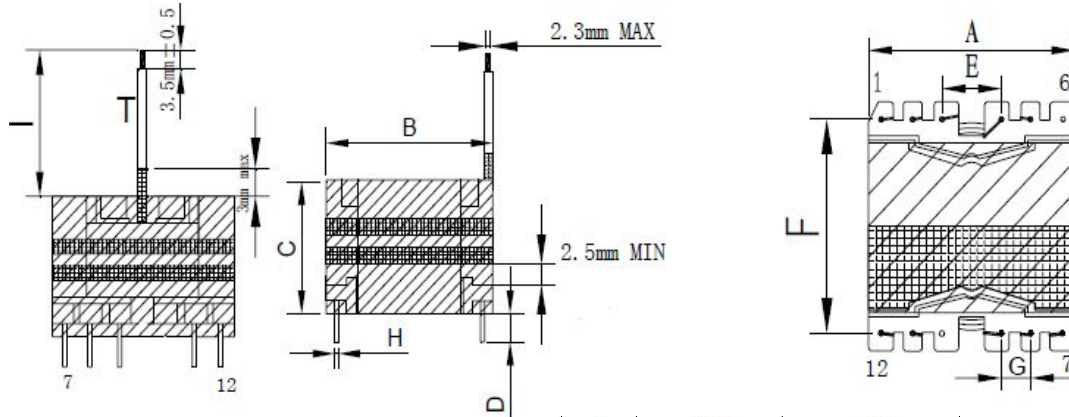


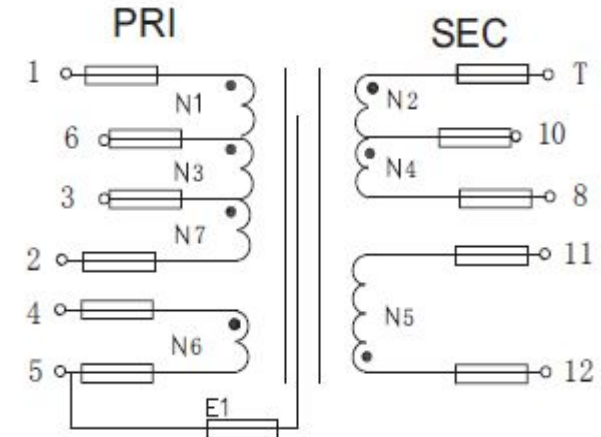
CUSTOMER TERMINAL	ROHS	Lead(Pb)-free
	YES	YES

## 1.Mechanical Dimensions



A	35.0	MAX
B	35.0	MAX
C	23.5	MAX
D	3.5	±0.5
E	7.5	±0.3
F	30.0	±0.4
G	5.0	±0.3
H	0.80	±0.1
I	43.0	±2.0

## 2.Schematic Diagram



## 3.Material List

Core:FW44 PQ3220

Bobbin:FWB3201-1(6+6PIN)

Wire:2UEW TIW

Copper foil:0.025t\*8.0mm

Operating Temperature: -30 to115 °C

## 4.Electrical Specification

Inductance :  $L(1-2):1.4mH \pm 5\%$  30KHZ , 1.0V

Leakage Inductance : 10uH MAX 30KHZ , 1.0V

DCR :  $(1-2)=0.432\Omega$  MAX  $(8-T)=0.166\Omega$  MAX

Hi-Pot:P-S: AC 60Hz 4000V 2mA 3S

P-CORE: AC 60Hz 500V 2mA 3S

REV.	DATE	<p>Convention Placement</p>	DRW.	Drawing Title:	Part No:		
0	00/00		CHK.			<b>TRANSFORMER</b>	FWPTPQ3220V142J-2
			APP.			Customer P/N	Specification Sheet 1of 1

**ROHS**

[www.ferriwo.com](http://www.ferriwo.com)